

SMART COMMAND

by **CAROMA**

Revision: 0

Date: 30/10/2024

Supersedes all previous issues

Basin Outlet Tapware

Electronic Hands-Free, Bluetooth® Enabled



Basin Outlet Tapware



Chrome version

- Trim kit and Rough in kit included
- Accurate and reliable time of flight sensors to detect hands & minimise accidental activation.
- Prominent reassurance LED displaying three separate colour modes (Cold/Warm/Hot).
- Advanced self configuring tap understands the surrounding surfaces and alters setting appropriately.
- Touch free activation for improved hygiene.
- Data capture from Tapware activations correlated with sanitaryware use provides insight into hygiene practices at any given time.
- BlueTooth enabled for direct access from a smart device and communication to Caroma Smart Command Cloud.
- Connected Smart tap enables quick configuration of operating parameters, testing of fixture status and usage review via Caroma Smart Command Cloud, Mobile App or through a BMS system.
- Hard wearing, low maintenance and solid lead free brass construction.

Smart Command™ Basin Outlet Tapware	Code No.
Chrome	98504C6AF-KIT
Matte Black	98504B6AF-KIT
Gunmetal	985043GM6AFSMO-KIT
Brushed Nickel	98504BN6AF-KIT
Brushed Brass	98504BB6AFSMO-KIT
Rough-In Kit	98498F

Outlet: Flowrate: 3.5 Litre per minute. WELS 6 Star.

Hygienic Flush: Hygienic flush every 24 hours (optional).

Electronic Valve: The operating voltage of the valve is 6 volts DC.

Electronics: Supply voltage to the system is 240V AC 50Hz. Operating current 6 volts DC.

Installation: Single Temperature, Male DN15 (G1/2") water connection.
For general electrical connection install a plug socket 240V AC.

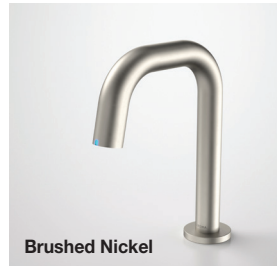
Also available in the following colour options:



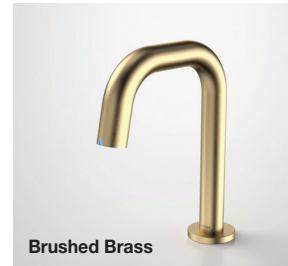
Matte Black



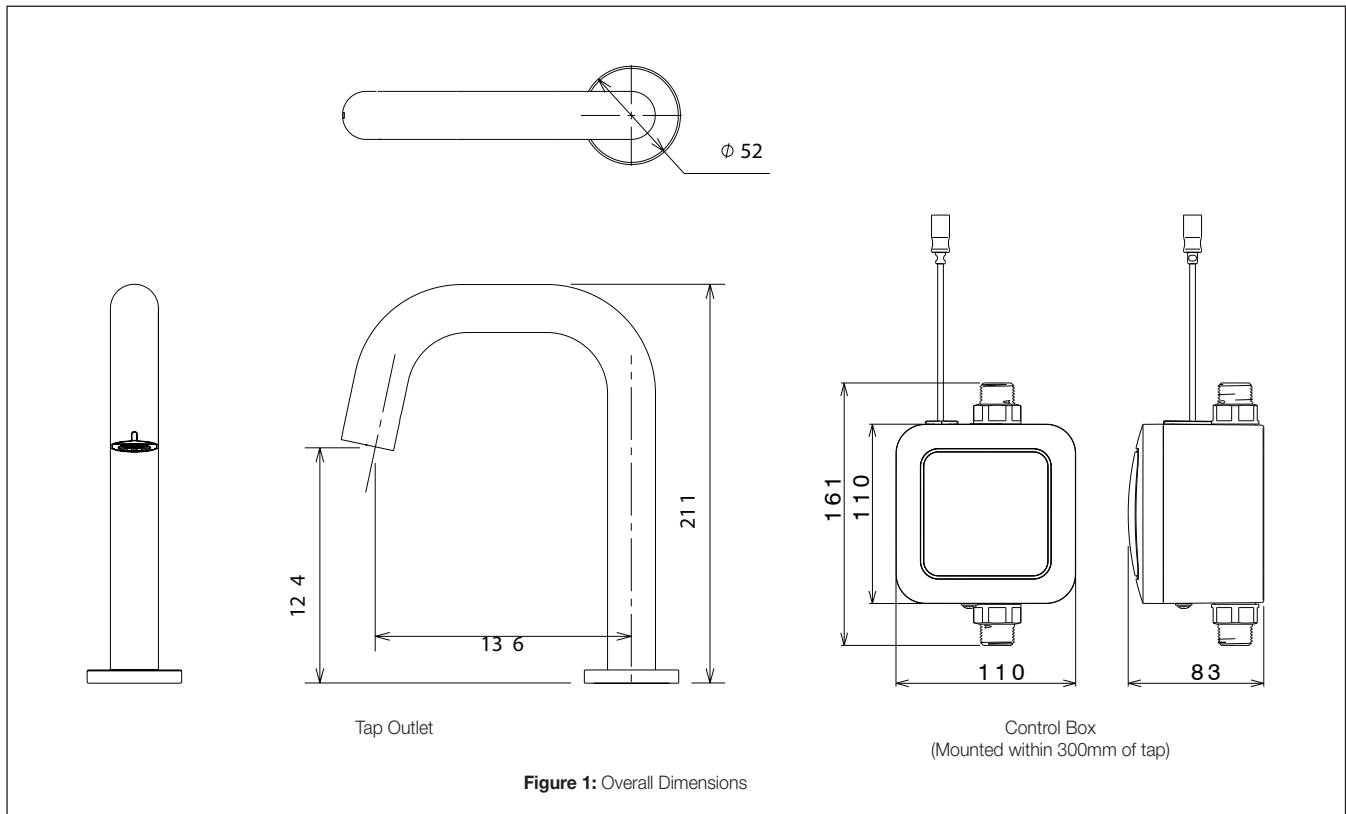
Gunmetal

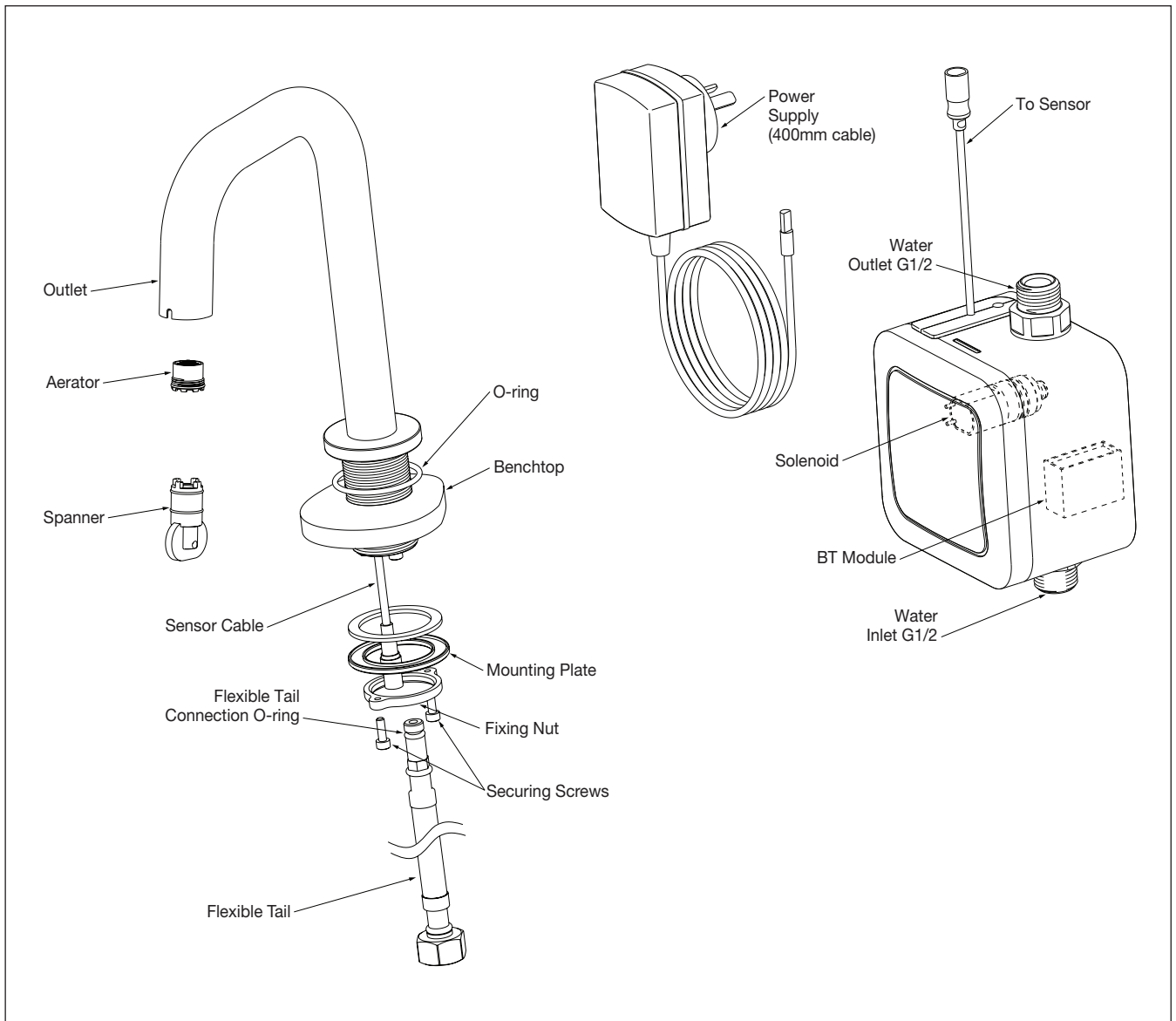


Brushed Nickel



Brushed Brass





SMART COMMAND <small>by CAROMA</small>	Technical Data Basin Outlet Tapware
Ethernet Gateway Dimensions	Width 211mm x Distance to Centre of Outlet: 136mm x Height: 211mm
Flowrate	3.5 Litre per minute. WELS 6 Star
Sensor Type	TOF (Time of Flight)
Maximum Power Consumption	20mA
Pressure Requirements	Static inlet pressure range: 150 - 700kPa New regulation: -500kPa maximum static pressure
BMS Connection Type	BMS Connection via Caroma Smart Command connective hardware
Communication Protocol	Bluetooth 5.0
Power Supply Input	240V AC 50/60 Hz
Power Supply Output	6V DC
Power Supply EMC Approvals	CE, C-Tick and FCC
Power Supply Safety Approvals	RCM, UL, CUL, TUV, GS, SAA, CE and CB
Power Supply Safety Compliance	AS/NZS 60950, UL 60950, EN 60950, IEC 60950
ROHS Compliance	EN50581:2012
EMC Compliance	EN 301 489-1 V2.1.1, EN 300 328 V2.1.1, EN623111, EN62368-1: 2014, AS/NZS CISPR 32:2015 (ITE Class B)
Electrical Safety Compliance	IEC 60950-1, UL 60950-1, CSA C22.2 60950-1
Complies with EC Directives	RoHS2 Directive 2011/65/EU, Waste Electrical and Electronic Equipment (WEEE) Directive 2002/96/EC, Registration, Evaluation, Authorisation and Restriction of Chemicals (REACH) Directive, Conflict Minerals Directive
IMPORTANT INFORMATION	<p>Trim kit and In-wall Rough-in kit can be supplied separately.</p> <p>Not suitable for gravity feed systems.</p> <p>Wall outlet is fitted with a flow regulated aerator insert. This low flow rate may not be suitable for connection to some Instantaneous Gas Water Heaters, some Tempering Valves, some Solar Water Heaters & some Thermostatic Mixing Valves.</p> <p>All pipework must be thoroughly flushed prior to installation, as foreign materials may block the solenoid or flow regulating device and reduce the flow of water.</p>